

OPTOKON Elektronik Rugged Display OERD-15D

For Defence
&
Heavy Industry

Key Features

- 15" 1024 x 768 resolution
- AR protection glass
- Compliant MILSTD 810G/ MILSTD 461E
- Fanless design and efficient heat dissipation
- Power input 12 V DC defencegrade connector
(Optional 936 V DC wide range)



Specifications

Display

| | | | |
|-----------------------|----------------|-------------------------|---|
| Resolution | 1024x768 | Size | 15 inches |
| Contrast Ratio | 2500:1 | Panel Brightness | 1000 nits |
| Display Color | 16.7M Colors | View Angles | 88,88,88,88 |
| Active Area | 304.1x228.1 mm | Touch / Glass | AR Protection Glass 5 Wires Resistive Touch (Optional) 5 Wire Resistive with EMI Mesh Filter (Optional) EMI Glass (Optional) |

Environment

| | | | |
|----------------------------|---|------------------------------|------------------------|
| Operating Humidity | 10% to 95% RH | Operating Temperature | -20°C~60°C |
| Storage Temperature | -30°C~70°C | Shock | Operating:30g for 18ms |
| Vibration | Operating: 1.60/1.96/2.18 g rms for XYZ / 5-500Hz | | |

Compliance

| | | | |
|-----------------------|--|-----------------------|---|
| MIL-STD 461E/F | RE101 / RE102 CE101 / CE102 with EMI Glass / Touch(Optional) RS101 / RS 103 CS101 / CS 106 / CS 109 / CS 114 / CS 115 / CS 116 | MIL-STD 810F/G | Vibration Method 514.5 Humidity Method 507.4 Transit Drop Method516.5 |
|-----------------------|--|-----------------------|---|

Certification

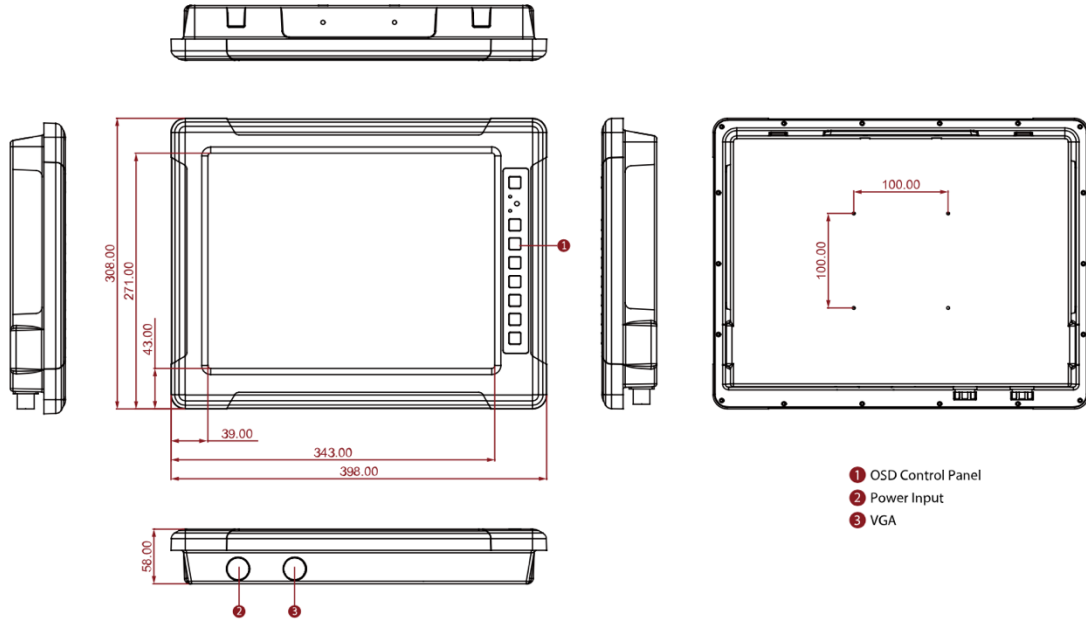
| | |
|----------------------|---------|
| Certification | CE, FCC |
|----------------------|---------|

IO Ports

| | | | |
|-----------------|---|--------------------|---|
| USB Port | 1 x USB for Touch Screen(Defence Grade) (Optional) | Serial Port | 1 x RS232 for Touch Screen(Defence Grade) (Optional) |
| Video | 1 x VGA(Defence Grade) | | |

| Mechanical | | | |
|--------------|--|----------------|----------------|
| Dimension | 398 x 308 x 58 mm | Mounting | VESA Mount |
| Enclosure | Metal Housing with Aluminum Bezel | Cooling System | Fanless Design |
| Accessory | | | |
| Accessory | User Manual Touch Driver CD Open Wire Cable AC Adapter Power Cord | | |
| Power | | | |
| Power Rating | 12V DC (MIL-DTL-38999/1 connector) 9V to 36V wide range (Optional) | | |
| Control | | | |
| Button | 8 key: Power Menu Auto Volume Up/ Swap Volume Down/ PIP Brightness Up Brightness Down LED Adjustment | | |

Dimensions: UNIT: MM



Note:

- This is a simplified drawing and some components are not marked in detail.
- Please contact our sales representative if you need further product information.
- All specifications are subject to change without prior notice.
- The product shown in this datasheet is a standard model. For diagrams that contain customized or optional I/O, please contact the OPTOKON Elektronik Team for more information.