



FIBER OPTIC TERMINATION BOXES



Colour Options:

RAL 7035

RAL 9005

Content

19" SPLICE BOXES A TYPE SERIES	- 3 -
19" SPLICE BOXES B TYPE SERIES	- 5 -
19" SPLICE BOXES C TYPE SERIES	- 7 -
19" RACK SPLICE BOXES D TYPE SERIES	- 9 -
19" RACK SPLICE BOXES E TYPE SERIES	- 11 -
19" RACK SPLICE BOXES G TYPE SERIES	- 13 -
19" RACK H TYPE SERIES	- 15 -
WALL TYPE - A Type FIBER OPTIC DISTRIBUTION BOX	- 17 -
WALL TYPE - B Type FIBER OPTIC DISTRIBUTION BOX	- 19 -
WALL TYPE - C Type FIBER OPTIC DISTRIBUTION BOX	- 21 -

19" SPLICE BOXES A TYPE SERIES



Description

A Type Termination panels ease fiber termination due to the sliding mechanism and removable front panel and provide low-cost professional cable management. These panels are specially produced for simple installation and easy access.

On the removable front panel slots can be applied according to the desired adapter type. The adapter holes are vertical position.

Sliding internal tray can be used with snap lock or screws on the two sides while the general preferences is snap lock type. Removing the internal tray from the body by moving it up for 45 degree only ease of use during installation is enable.

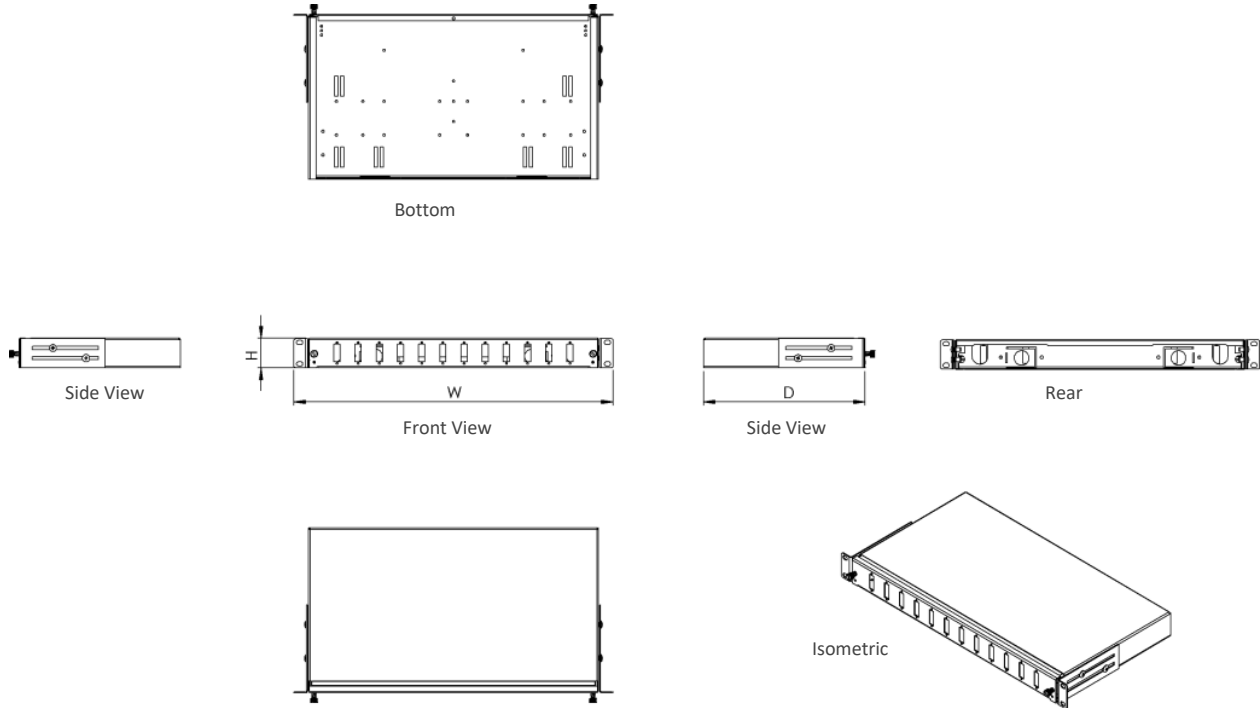
Fiber optic panels enable easy access for the additional patch cables and trays even after installation to the cabinets or field termination enclosures

Specifications

- 1U, 2U and 3U versions (12, 24, 36, 48 and 72 port capacity) Smooth and convenient mechanical sliding system
- Manages small & large quantities of fiber with a high packing density Modular design
- Cable glands to secure the incoming fiber, allows min movement
- Fiber guide tubes to protect and direct the fibers to the cassettes in a professional way Minimum bend radius of fibers and strain relief for all entry cables
- Fiber bend radius control – < 35mm
- Capacity of up to 72 ports
- All known connector types such as SC, FC, ST, E2000, LC, MU etc. are possible.

Includes

- 1xM6 screw and nut set(4pcs)
- 1xPG16 PVC Gland



Product Code	Product Description	(U)	Port	Width(W) (mm)	Depth (mm)	Height (mm)	Weight (Net) (kg)
OF-01U12SCD-A-XX	A Type 01U 12 Port SC Duplex Fiber Optic Splice Box	01	12	482	240	44,45	2
OF-01U12SCS-A-XX	A Type 01U 12 Port SC Simplex Fiber Optic Splice Box	01	12	482	240	44,45	2
OF-01U12ST-A-XX	A Type 01U 12 Port ST Fiber Optic Splice Box	01	12	482	240	44,45	2
OF-01U24SCD-A-XX	A Type 01U 24 Port SC Duplex Fiber Optic Splice Box	01	24	482	240	44,45	2
OF-01U24SCS-A-XX	A Type 01U 24 Port SC Simplex Fiber Optic Splice Box	01	24	482	240	44,45	2
OF-01U24ST-A-XX	A Type 01U 24 Port ST Fiber Optic Splice Box	01	24	482	240	44,45	2
OF-02U48SCD-A-XX	A Type 02U 48 Port SC Duplex Fiber Optic Splice Box	02	48	482	240	88,9	2,8
OF-02U48SCS-A-XX	A Type 02U 48 Port SC Simplex Fiber Optic Splice Box	02	48	482	240	88,9	2,8
OF-02U48ST-A-XX	A Type 02U 48 Port ST Fiber Optic Splice Box	02	48	482	240	88,9	2,8
OF-03U72SCD-A-XX	A Type 03U 72 Port SC Duplex Fiber Optic Splice Box	03	72	482	240	133,35	3,6
OF-03U72SCS-A-XX	A Type 03U 72 Port SC Simplex Fiber Optic Splice Box	03	72	482	240	133,35	3,6
OF-03U72ST-A-XX	A Type 03U 72 Port ST Fiber Optic Splice Box	03	72	482	240	133,35	3,6

19" SPLICE BOXES B TYPE SERIES



Description

B Type Termination panels ease fiber termination due to the sliding mechanism and removable front panel and provide low-cost professional cable management. These panels are specially produced for simple installation and easy access.

On the removable front panel slots can be applied according to the desired adapter type. The adapter holes are 45 degree.

Sliding internal tray can be used with snap lock or screws on the two sides while the general preference is snap lock type. Removing the internal tray from the body by moving it up for 45 degree only ease of use during installation is enable.

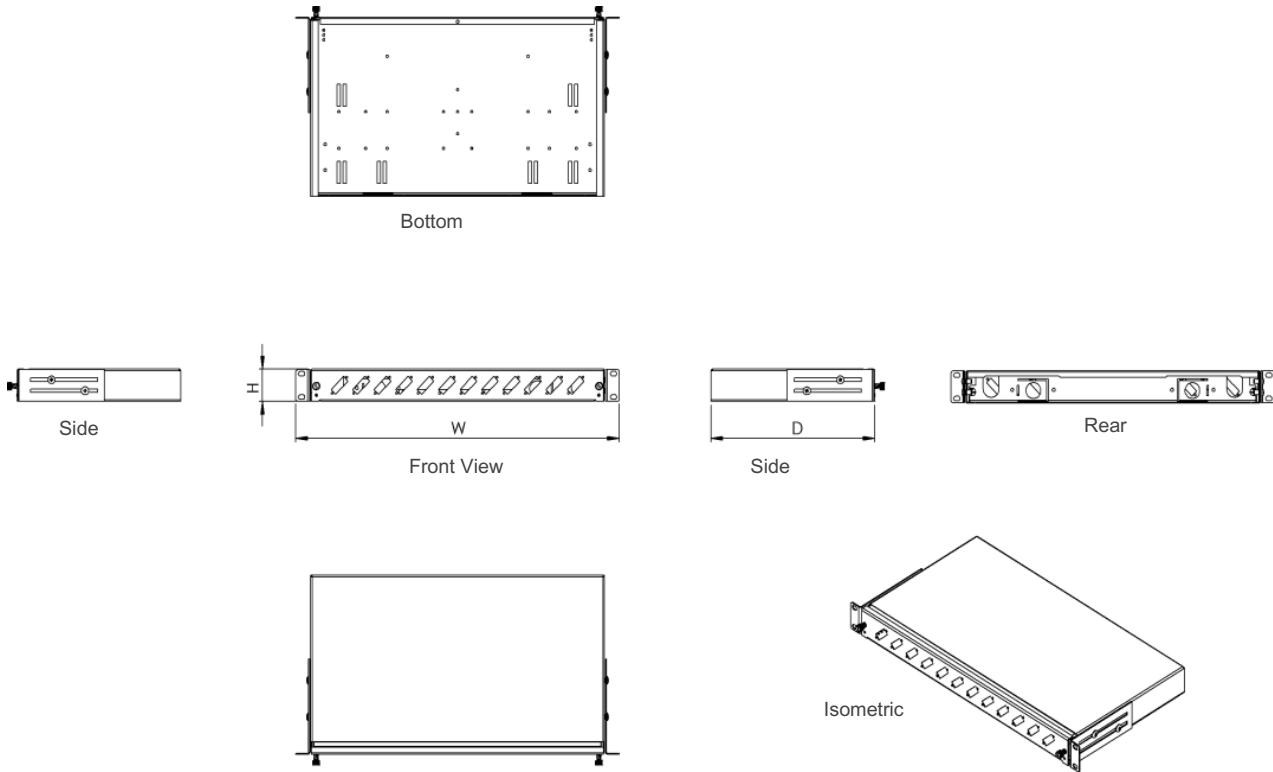
Fiber optic panels enable easy access for the additional patch cables and trays even after installation to the cabinets or field termination enclosures

Specifications

- 1U, 2U and 3U versions (12, 24, 36, 48 and 72 port capacity) Smooth and convenient mechanical sliding system
- Manages small & large quantities of fiber with a high packing density Modular design
- Cable glands to secure the incoming fiber, allows min movement
- Fiber guide tubes to protect and direct the fibers to the cassettes in a professional way Minimum bend radius of fibers and strain relief for all entry cables
- Fiber bend radius control – < 35mm
- Capacity of up to 72 ports
- All known connector types such as SC, FC, ST, E2000, LC, MU etc. are possible.

Includes

- 1xM6 screw and nut set(4pcs)
- 1xPG16 PVC Gland



Product Code	Product Description	(U)	Port	Width(w) (mm)	Depth (mm)	Height (mm)	Weight (Net) (kg)
OF-01U12SCD-B-XX	B Type 01U 12 Port SC Dublex Fiber Optic Splice Box	01	12	482	240	44,45	2
OF-01U12SCS-B-XX	B Type 01U 12 Port SC Simplex Fiber Optic Splice Box	01	12	482	240	44,45	2
OF-01U12ST-B-XX	B Type 01U 12 Port ST Fiber Optic Splice Box	01	12	482	240	44,45	2
OF-01U12SCD-B-XX	B Type 01U 24 Port SC Dublex Fiber Optic Splice Box	01	24	482	240	44,45	2
OF-01U12SCS-B-XX	B Type 01U 24 Port SC Simplex Fiber Optic Splice Box	01	24	482	240	44,45	2
OF-01U12ST-B-XX	B Type 01U 24 Port ST Fiber Optic Splice Box	01	24	482	240	44,45	2
OF-02U48SCD-B-XX	B Type 02U 48 Port SC Dublex Fiber Optic Splice Box	02	48	482	240	88,9	2,8
OF-02U48SCS-B-XX	B Type 02U 48 Port SC Simplex Fiber Optic Splice Box	02	48	482	240	88,9	2,8
OF-02U48ST-B-XX	B Type 02U 48 Port ST Fiber Optic Splice Box	02	48	482	240	88,9	2,8
OF-03U72SCD-B-XX	B Type 03U 72 Port SC Dublex Fiber Optic Splice Box	03	72	482	240	133,35	3,6
OF-03U72SCS-B-XX	B Type 03U 72 Port SC Simplex Fiber Optic Splice Box	03	72	482	240	133,35	3,6
OF-03U72ST-B-XX	B Type 03U 72 Port ST Fiber Optic Splice Box	03	72	482	240	133,35	3,6

19" SPLICE BOXES C TYPE SERIES



Description

C type Fiber optic splice boxes provide professional cable management and easy fiber termination availability with the telescopic rail structure and 1U, 2U, 3U, 4U options. Internal tray is installed on telescopic rails to provide a smoother movability inside and outside.

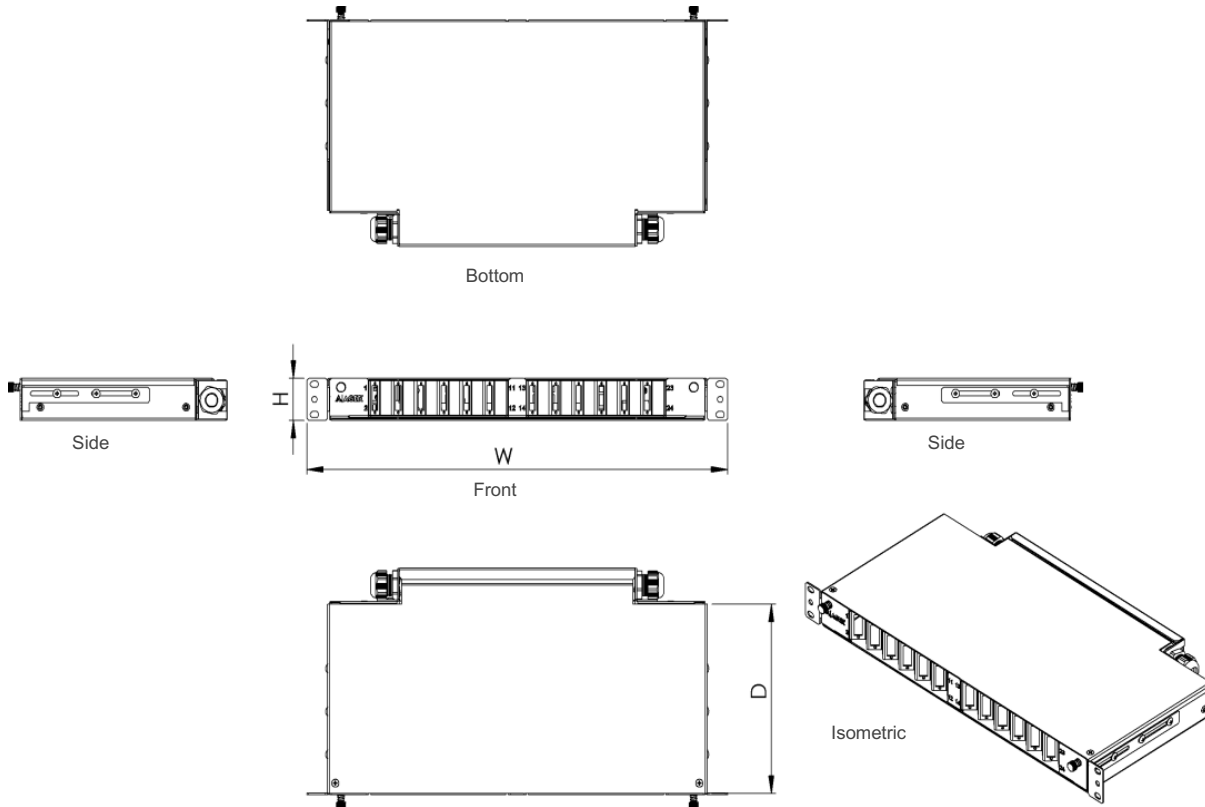
Due to Special design, the gland lug used on the left and right for cable inlets is removed and net width of the panel is kept. Special designed 45 angled adaptor modules provide easy access to thee optic interconnection cables and splice cassette and pigtailed when the tray is opened

Specifications

- 1U, 2U, 3U and 4U versions (12, 24, 36 and 48 port capacity) Compatible for all 19"
- Professional and advanced cable management with 45 degree adaptor interface
- Angled adaptor interface protects your eyes from undesired contact with laser beam coming from the adaptors-Laser safety!
- Screw connection system provide easy opening of front panel. Easy access with telescopic rail pull-out system.
- Special protection tubes and bend radien for protecting the incoming fiber from bending Bakımı ve genişletmesi kolay
- Professional cable storage and protection for minumum bending in panel Fiber bend radius control of 35mm
- All known connector types such as SC, FC, ST, E2000, LC, MU etc. are possible

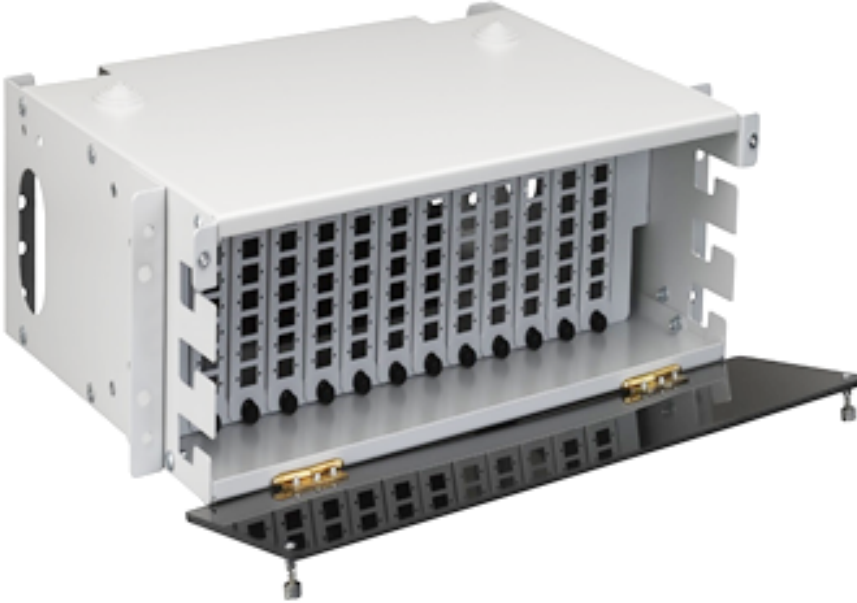
Includes

- 1xM6 screw and nut set(4pcs)
- 1xPG16 PVC Gland



Product Code	Product Description	(U)	Port	Width(W) (mm)	Depth (mm)	Height (mm)	Weight (Net) (kg)
OF-01U12SCD-C-XX	C Type(Angled) 01U 12 Port SC Duplex Fiber Optic Splice Box	01	12	482	240	44,45	4
OF-01U12SCS-C-XX	C Type(Angled) 01U 12 Port SC Simplex Fiber Optic Splice Box	01	12	482	240	44,45	4
OF-01U12ST-C-XX	C Type(Angled) 01U 12 Port ST Fiber Optic Splice Box	01	12	482	240	44,45	4
OF-02U24SCD-C-XX	C Type(Angled) 02U 24 Port SC Duplex Fiber Optic Splice Box	02	24	482	240	88,9	4,8
OF-02U24SCS-C-XX	C Type(Angled) 02U 24 Port SC Simplex Fiber Optic Splice Box	02	24	482	240	88,9	4,8
OF-02U24ST-C-XX	C Type(Angled) 02U 24 Port ST Fiber Optic Splice Box	02	24	482	240	88,9	4,5
OF-03U36SCD-C-XX	C Type(Angled) 03U 36 Port SC Duplex Fiber Optic Splice Box	03	36	482	240	133,35	5,6
OF-03U36SCS-C-XX	C Type(Angled) 03U 36 Port SC Simplex Fiber Optic Splice Box	03	36	482	240	133,35	5,6
OF-03U36ST-C-XX	C Type(Angled) 03U 36 Port ST Fiber Optic Splice Box	03	36	482	240	133,35	5,6
OF-04U48SCD-C-XX	C Type(Angled) 04U 48 Port SC Duplex Fiber Optic Splice Box	04	48	482	240	177,8	6,4
OF-04U48SCS-C-XX	C Type(Angled) 04U 48 Port SC Simplex Fiber Optic Splice Box	04	48	482	240	177,8	6,4
OF-04U48ST-C-XX	C Type(Angled) 04U 48 Port ST Fiber Optic Splice Box	04	48	482	240	177,8	6,4

19" RACK SPLICE BOXES D TYPE SERIES



Description

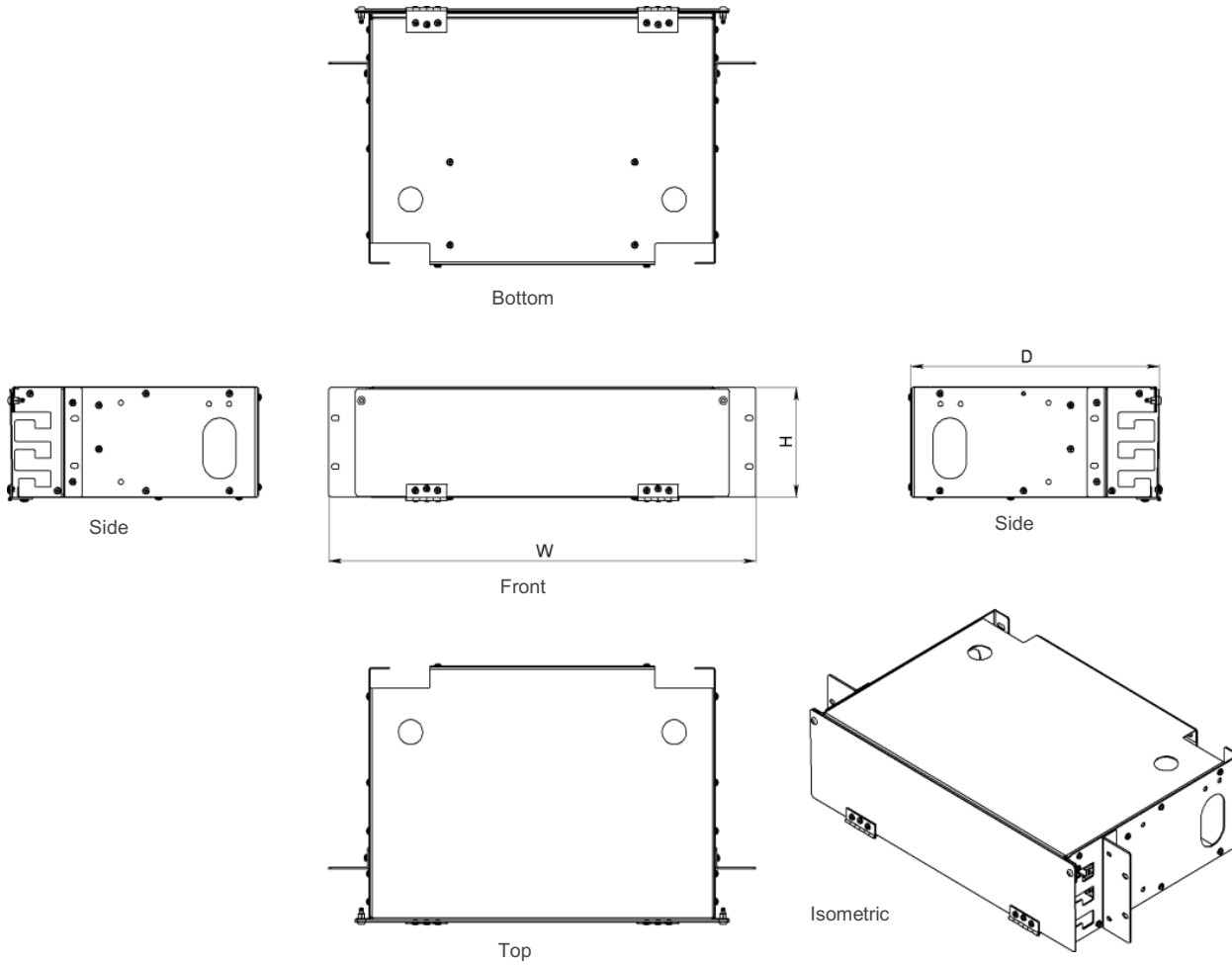
D Type Fiber Optic Termination Panels are the products designed for the installation on 19" and 21" racks with the availability for mounting on the front and back with adjustable side lugs. Removable front port module and snap lock structure enables easier fiber optic termination for different capacities. Standard metal front panel can be changed with plexiglass upon request. 40x70mm ellipsis cable entries located on the left, right and back and two PG21 gland holes provide a flexible use. These holes are covered with bendable plugs on the delivery.

Specifications

- Modular structure designed for 19" and 21" ETSI optical distribution frames Outstanding cable management with maximum fiber optic termination availability Capacity;
- 3U 72/96 ports 4U 108/144 ports 6U 162/216 ports
- 12 / 24 ports slim splice cassette Minimum cable movement
- Adjustable adapter interface for laser protection 21" converter brackets
- Screw and spring hinge front cover Metal front cover(standard) Plexiglass front over
- LC, FC, ST, MTRJ, E-2000 etc modules

Includes

- 1u 21" ETSI converter side lugs
- 2 pcst M6 screw and nut set (4 pcs)
- 1 set M4x10 cassette screw 2 pcs
- Bendable plug 4 pcs



Product Code	Product Description	(U)	Port	Width(W) (mm)	Depth (mm)	Height (mm)	Weight (Net) (kg)
OF-03U96ST-D-XX	D Type 03U 19" 96 Port ST Fiber Optic Splice Box	03	96	482	240	133	7,2
OF-03U96SCS-D-XX	D Type 03U 19" 96 Port SC Simplex Fiber Optic Splice Box	03	96	482	240	133	7,2
OF-03U72SCD-D-XX	D Type 03U 19" 72 Port SC Dublex Fiber Optic Splice Box	03	72	482	240	133	7,2
OF-04U144ST-D-XX	D Type 04U 19" 144 Port ST Fiber Optic Splice Box	04	144	482	240	177	8
OF-04U144SCS-D-XX	D Type 04U 19" 144 Port SC Simplex Fiber Optic Splice Box	04	144	482	240	177	8
OF-04U108SCD-D-XX	D Type 04U 19" 108 Port SC Dublex Fiber Optic Splice Box	04	108	482	240	177	8
OF-06U216ST-D-XX	D Type 06U 19" 216 Port ST Fiber Optic Splice Box	06	216	482	240	266	9,6
OF-06U216SCS-D-XX	D Type 06U 19" 216 Port SC Simplex Fiber Optic Splice Box	06	216	482	240	266	9,6
OF-06U162SCD-D-XX	D Type 06U 19" 162 Port SC Dublex Fiber Optic Splice Box	06	162	482	240	266	9,6

19" RACK SPLICE BOXES E TYPE SERIES



Description

E Type Fiber Optic Termination panels, also called as swing type panel, provide mass cable termination with innovative design of opening angle up to 120 degree to enable ease of access for the installation and rework.

Adapter panel located on the tray with 24, 32, 36, 48, 72, 96, 144 ports options provide easy fiber optic termination with four cable entries, two entries on the sides and two entries on the back.

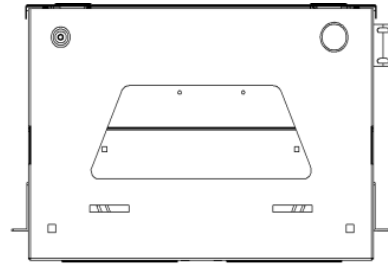
Besides, fibre optic cable main line fixing scroll case specially designed for 1U, 2U and 3U heights is available.

Specifications

- Modular structure designed for 19 " and ETSI optical distribution frames.
- Outstanding cable management and maximum fiber optic termination availability with modular swing structure 12 / 24 ports slim splice cassette
- Minimum cable movement
- Angled adapter module for protection against laser 21" converter side lugs
- Magnetic hinged front cover
- Tray swinging from left (right hand side option available) LC, FC, ST, MTRJ, E-2000 etc. modules

Includes

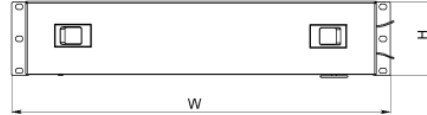
- 1u 21" ETSI converter side lugs
- 2 pcs Self-adhesive organizer 5 pcs
- M6 screw and nut (4pcs)
- 1 set M5 splice cassette nut
- 1 pcs 50 cm spiral tube
- 1 pcs 2.5x100mm cable tie 5 pcs
- PG16 gland 2 pcs
- Bendable plug 2 pcs



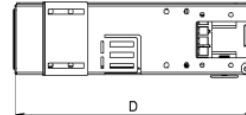
Bottom



Side



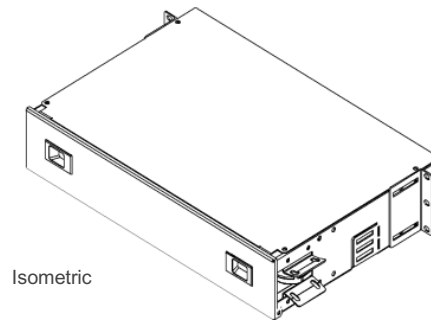
Front



Side



Top



Isometric

Product Code	Product Description	(U)	Port	Width (mm) W	Depth (mm)	Height (mm)	Weight (Net) (kg)
OF-01U48SCS-E-XX	E Type 01U 19" 48 Port SC Simplex Fiber Optic Splice Box	01	48	482	300	44	4,2
OF-01U32SCD-E-XX	E Type 01U 19" 32 Port SC Duplex Fiber Optic Splice Box	01	32	482	300	44	4,2
OF-02U96SCS-E-XX	E Type 02U 19" 96 Port SC Simplex Fiber Optic Splice Box	02	96	482	300	88	5
OF-02U64SCD-E-XX	E Type 02U 19" 64 Port SC Duplex Fiber Optic Splice Box	02	64	482	300	88	5
OF-03U144SCS-E-XX	E Type 03U 19" 144 Port SC Simplex Fiber Optic Splice Box	03	144	482	330	133	6,2
OF-03U96SCD-E-XX	E Type 03U 19" 96 Port SC Duplex Fiber Optic Splice Box	03	96	482	300	133	6,2

19" RACK SPLICE BOXES G TYPE SERIES



Description

G Type Fiber Optic Termination Panels provide professional cable management and easy fiber termination availability with the telescopic rail structure and 1U, 2U, 3U, 4U options. Internal tray is installed on telescopic rails to provide a smoother movability inside and outside.

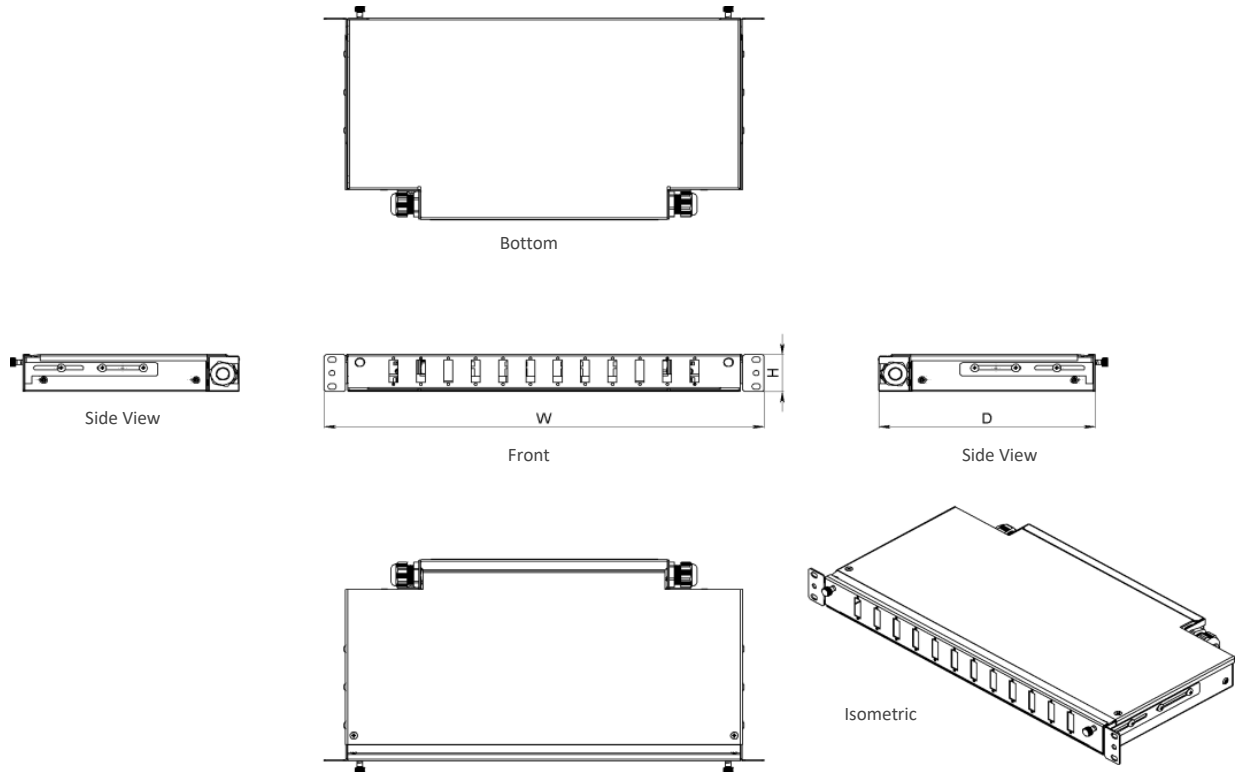
Thanks to the special design, the gland lug used on the left and right for cable inlets is removed and the net width of the panel is kept.

Specifications

- Telescopic rail system
- Managing low and high number of fiber connections with high capacity. Limited movability for fiber cables and cable safety with glands
- Fiber optic guidance tubes to protect and direct the fiber cables to the splice cassettes Easy installation and access
- Cable management for minimum cable bending inside the panel 35mm fiber bending bracket control
- PG16 glands (optionally PG21)
- Compliance with all types of adapters (SC, FC, ST, LC etc)

Includes

- Self-adhesive organizer 5 pcs
- M5 splice cassette nut 1 pcs
- M6 screw and nut set (4 pcs)
- 1 set 50cm spiral tube 1 pcs
- 2,5 x 100mm cable tie 5 pcs
- PG16 gland 2 pcs



Product Code	Product Description	(U)	Port	Width (mm) W	Depth (mm)	Height (mm)	Weight (Net) (kg)
OF-01U12SCS-G-XX	G Type(Railed) 01U 19" 12 Port SC Simplex Fiber Optic Splice Box	01	12	482	240	44	3,5
OF-01U12SCD-G-XX	G Type(Railed) 01U 19" 12 Port SC Duplex Fiber Optic Splice Box	01	12	482	240	44	3,5
OF-01U12ST-G-XX	G Type(Railed) 01U 19" 12 Port ST Fiber Optic Splice Box	01	12	482	240	44	3,5
OF-01U24SCS-G-XX	G Type(Railed) 01U 19" 24 Port SC Simplex Fiber Optic Splice Box	01	24	482	240	44	3,5
OF-01U24SCD-G-XX	G Type(Railed) 01U 19" 24 Port SC Duplex Fiber Optic Splice Box	01	24	482	240	44	3,5
OF-01U24ST-G-XX	G Type(Railed) 01U 19" 24 Port ST Fiber Optic Splice Box	01	24	482	240	44	3,5
OF-02U48ST-G-XX	G Type(Railed) 02U 19" 48 Port ST Fiber Optic Splice Box	02	48	482	240	88	4,2
OF-02U48SCS-G-XX	G Type(Railed) 02U 19" 48 Port SC Simplex Fiber Optic Splice Box	02	48	482	240	88	4,2
OF-02U48SCD-G-XX	G Type(Railed) 02U 19" 48 Port SC Duplex Fiber Optic Splice Box	02	48	482	240	88	4,2
OF-03U72SCS-G-XX	G Type(Railed) 03U 19" 72 Port ST Fiber Optic Splice Box	03	72	482	240	133	6,2
OF-03U72SCD-G-XX	G Type(Railed) 03U 19" 72 Port SC Simplex Fiber Optic Splice Box	03	72	482	240	133	6,2
OF-03U72ST-G-XX	G Type(Railed) 03U 19" 72 Port SC Duplex Fiber Optic Splice Box	03	72	482	240	133	6,2

19" RACK H TYPE SERIES



Description

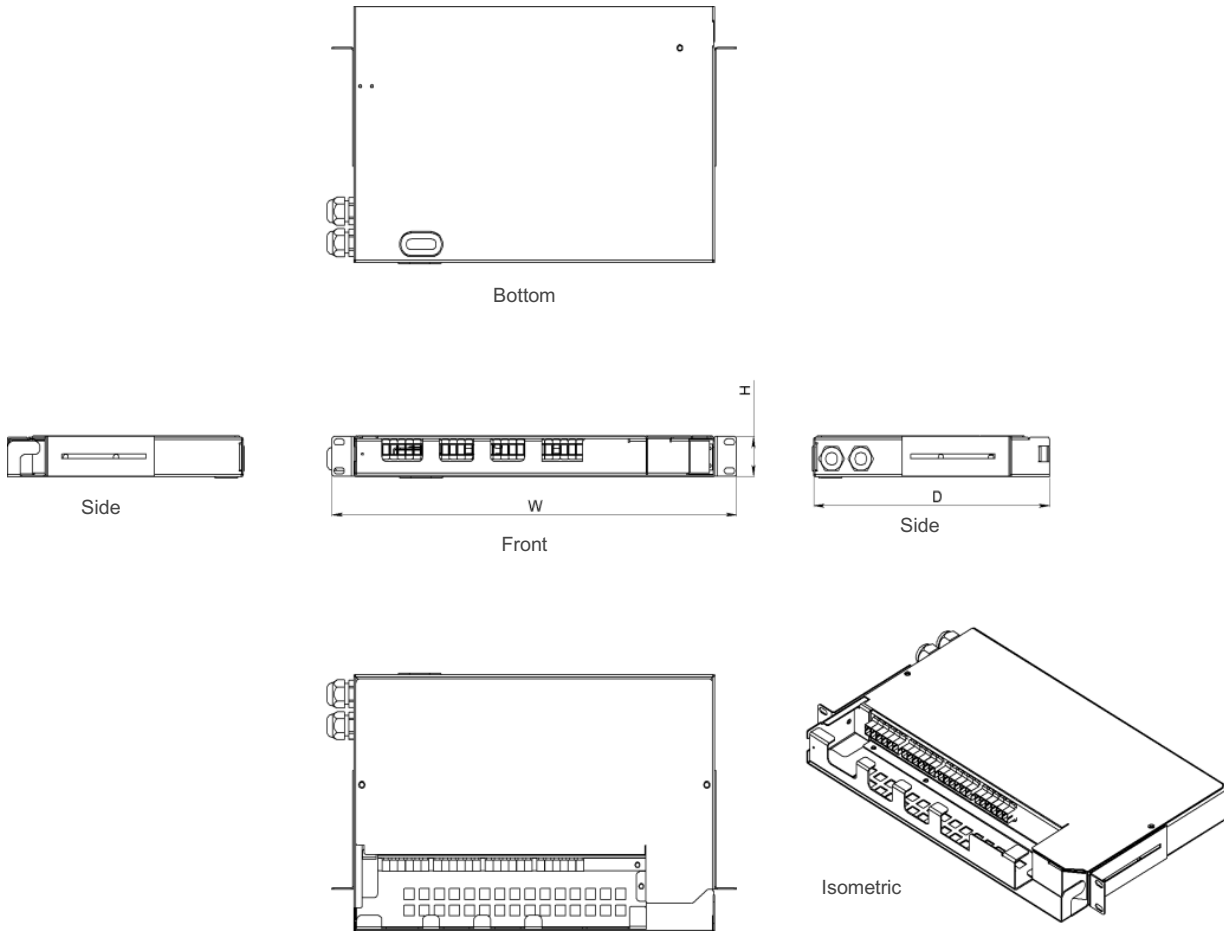
H Type Fiber Optic Termination panels offer professional cable management and easy fiber optic termination availability with the front cable manager, swing opening, aluminum and carbon steel options. Carriage system developed for high capacity termination works is the most useful design developed with modern splice and superior cable management.

Specifications

- Modular structure designed for 19" and 21" ETSI optical distribution frames Swing type aluminum tray
- Outstanding cable management with maximum fiber optic termination availability Compatible adapters (SC / LC) 96 ports
- Magnetic lock system (easily opened and closed) Minimum cable movement
- Plastic plug
- 12 ports splice cassettes
- Swing type front cable manager
- Limited movability for fiber cables and cable safety with glands Cable management for minimum cable bending inside the panel
- Fiber optic guidance tubes to protect and direct the fiber cables to the splice cassettes 35mm fiber bending bracket control
- PG16 glands (optionally PG21)
- Compliance with all types of adapters (SC, FC, ST, LC etc)

Includes

- 1U 21" ETSI converter side lugs 2 pcs 1U 19" rear side lugs 2 pcs
- Self-adhesive hooks 5 pcs
- M6 screw and nut set (4 pcs) 1 set M4x10 cage nut 2 pcs
- 50 cm spiral tube 1 pcs 2.5x100mm cable tie 1 pcs PG16 gland 1 pcs
- PG16 dummy plug 1 pcs



Product Code	Product Description	(U)	Port	Width(W) (mm)	Depth (mm)	Height (mm)	Weight (Net) (kg)
OF-01U12SCS-H-XX-ALM	H Type 01U 19" 12 Port SC Simplex Fiber Optic Splice Box ALM	01	12	482	285	44	2,1
OF-01U12SCS-H-XX	H Type 01U 19" 12 Port SC Simplex Fiber Optic Splice Box	01	12	482	285	44	4
OF-01U24SCS-H-XX-ALM	H Type 01U 19" 24 Port SC Simplex Fiber Optic Splice Box ALM	01	24	482	285	44	2,1
OF-01U24SCS-H-XX	H Type 01U 19" 24 Port SC Simplex Fiber Optic Splice Box	01	24	482	285	44	4
OF-01U12SCD-H-XX-ALM	H Type 01U 19" 12 Port SC Duplex Fiber Optic Splice Box ALM	01	12	482	285	44	2,1
OF-01U12SCD-H-XX	H Type 01U 19" 12 Port SC Duplex Fiber Optic Splice Box	01	12	482	285	44	4
OF-02U48SCS-H-XX-ALM	H Type 02U 19" 48 Port SC Simplex Fiber Optic Splice Box ALM	02	48	482	285	88	2,8
OF-02U48SCS-H-XX	H Type 02U 19" 48 Port SC Simplex Fiber Optic Splice Box	02	48	482	285	88	4,7
OF-02U48SCD-H-XX-ALM	H Type 02U 19" 48 Port SC Duplex Fiber Optic Splice Box ALM	02	48	482	285	88	2,8
OF-02U48SCD-H-XX	H Type 02U 19" 48 Port SC Duplex Fiber Optic Splice Box	02	48	482	285	88	4,7

WALL TYPE - A Type FIBER OPTIC DISTRIBUTION BOX

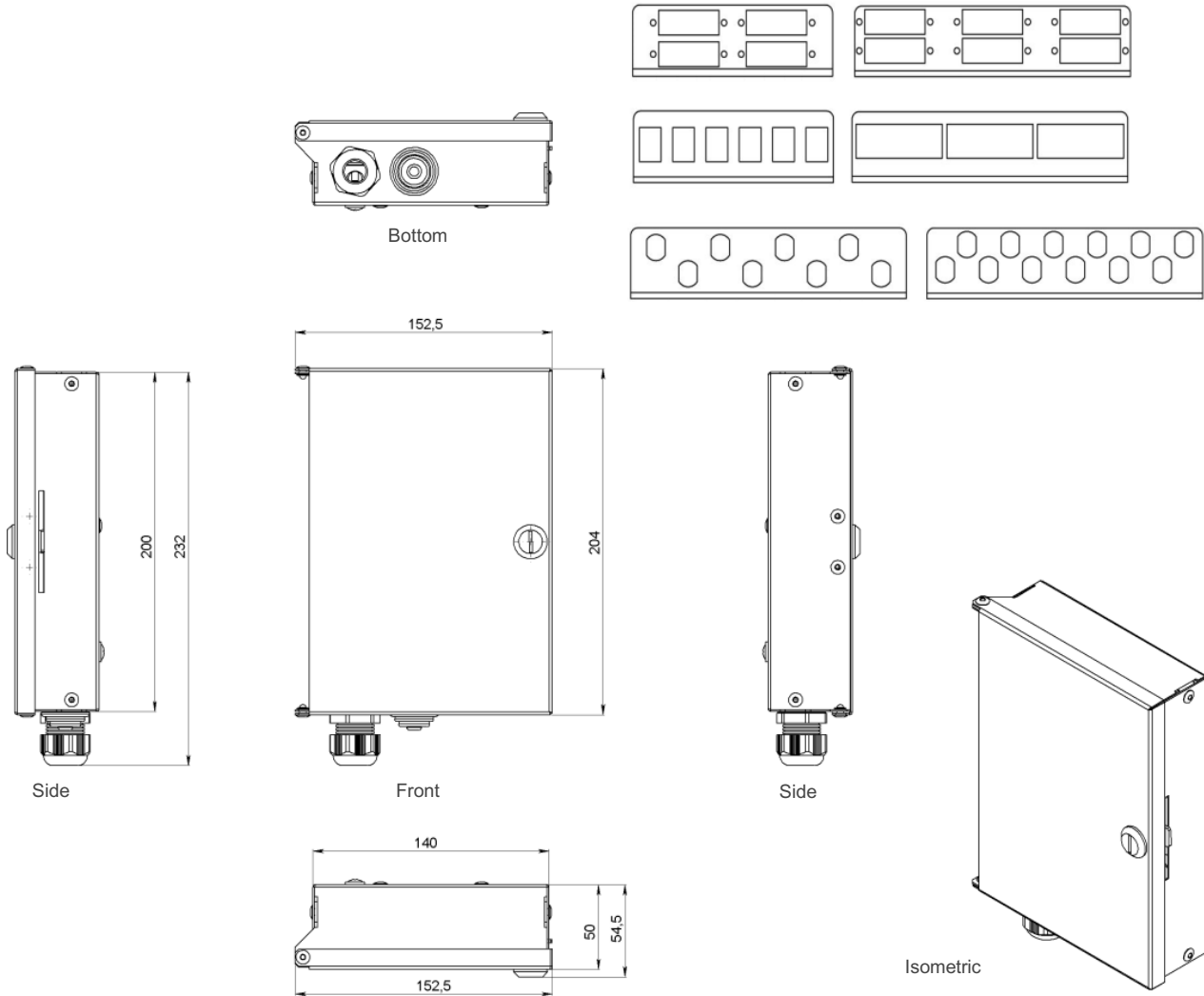


Description

A Type - Wall Type Fiber Optic Distribution Box have a unique structure with the hinged splice cassette design. Due to the movable cassette, intervention and installation on the port module hidden below is easy.

Includes

- 1xM6 screw and nut set(4pcs)
- 1xPG16 PVC Gland



Product Code	Product Description	Port	Width (W)	Depth (D) (mm)	Height (H) (mm)	Weight (Net) (kg)
OF-PB04PSCD-A-XX	A Type 4 Port Wall Type SC Dublex Fiber Optic Distribution Box	4	140	200	50	0,8
OF-PB06PSCD-A-XX	A Type 6 Port Wall Type SC Dublex Fiber Optic Distribution Box	6	140	200	50	0,8
OF-PB04PSCS-A-XX	A Type 4 Port Wall Type SC Simplex Fiber Optic Distribution Box	4	140	200	50	0,8
OF-PB06PSCS-A-XX	A Type 6 Port Wall Type SC Simplex Fiber Optic Distribution Box	6	140	200	50	0,8
OF-PB12PSCS-A-XX	A Type 12 Port Wall Type SC Simplex Fiber Optic Distribution Box	12	140	200	50	0,8
OF-PB08PST-A-XX	A Type 8 Port Wall Type ST Fiber Optic Distribution Box	8	140	200	50	0,8
OF-PB12PST-A-XX	A Type 12 Port Wall Type ST Fiber Optic Distribution Box	12	140	200	50	0,8

WALL TYPE - B Type FIBER OPTIC DISTRIBUTION BOX

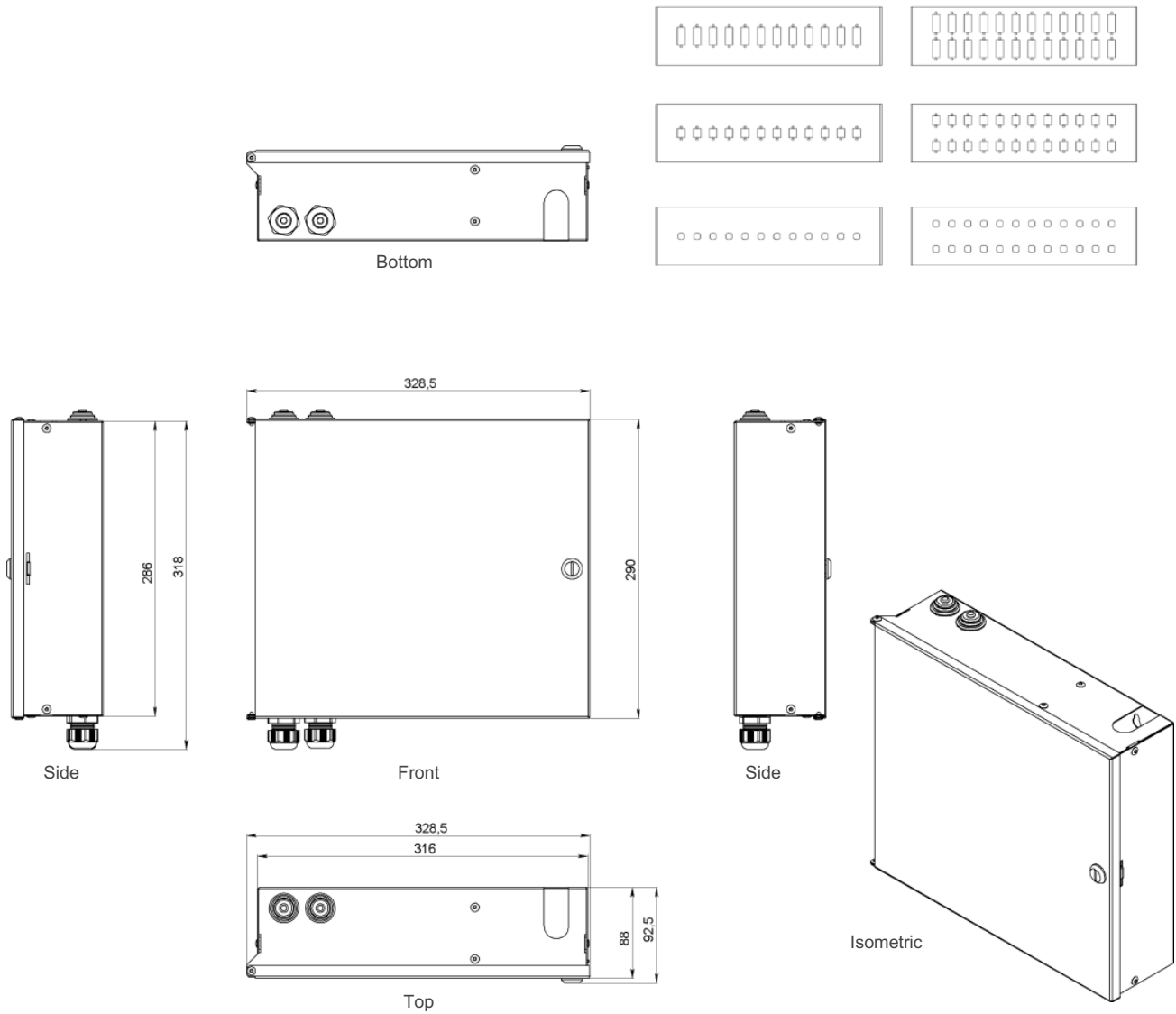


Description

B Type - Wall Type Fiber Optic Distribution Box have a unique structure with the hinged splice cassette design. Due to the movable cassette, intervention and installation on the port module hidden below is easy.

Includes

- 2xPG16 PVC Gland
- 2xPG16 Blind Cap



Product Code	Product Description	Port	Width (W)	Depth (D) (mm)	Height (H) (mm)	Weight (Net) (kg)
OF-PB12PSCD-B-XX	B Type 12 Port Wall Type SC Duplex Fiber Optic Distribution Box	12	316	290	88	2,8
OF-PB24PSCD-B-XX	B Type 24 Port Wall Type SC Duplex Fiber Optic Distribution Box	24	316	290	88	2,8
OF-PB12PSCS-B-XX	B Type 12 Port Wall Type SC Simplex Fiber Optic Distribution Box	12	316	290	88	2,8
OF-PB24PSCS-B-XX	B Type 24 Port Wall Type SC Simplex Fiber Optic Distribution Box	24	316	290	88	2,8
OF-PB12PST-B-XX	B Type 12 Port Wall Type ST Fiber Optic Distribution Box	12	316	290	88	2,8
OF-PB24PST-B-XX	B Type 24 Port Wall Type ST Fiber Optic Distribution Box	24	316	290	88	2,8

WALL TYPE - C Type FIBER OPTIC DISTRIBUTION BOX

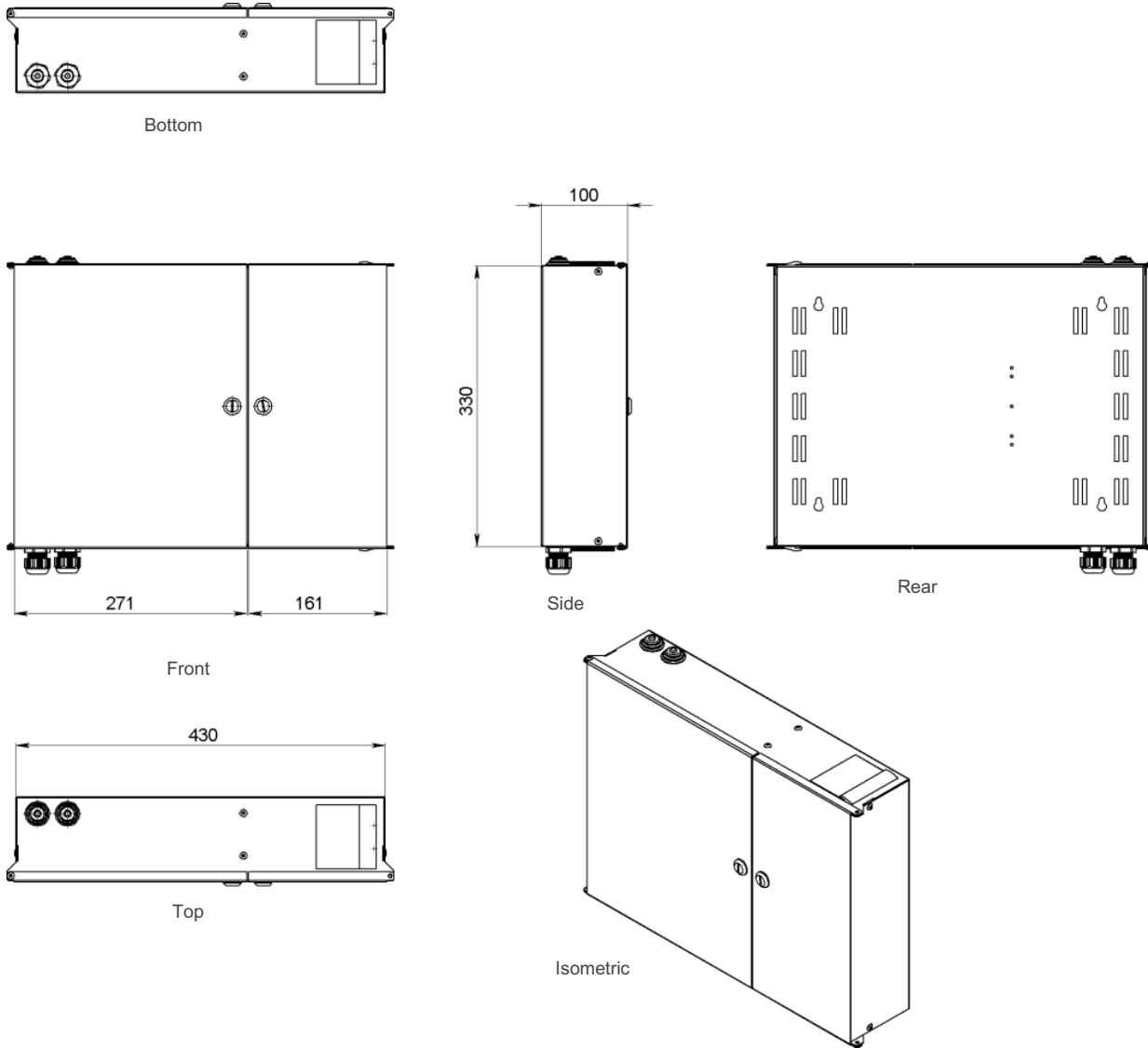


Description

C Type Fiber Optic Termination Panels are designed for wall mounting with double lockable door and changeable adapter module. The reason for the double doors is to separate the two sections as one section for adapter inlets and the other for cassette, pigtails, termination and spiral drums. Thus the double locks enable the intervention in only one section. The adapter section width is 145mm while the termination section width is 285mm. Up to 96 fiber optic terminations is possible.

Includes

- Self-adhesive hooks 5 pcs 50cm spiral tube 1 pcs
- 2,5 x 100mm cable tie 5 pcs
- PG16 gland 2 pcs
- PG16 dummy plug 2 pcs
- Fixing plug set 4 pcs



Product Code	Product Description	Port	Width (W)	Depth (D) (mm)	Height (H) (mm)	Weight (Net) (kg)
OF-PB96PSCS-C-XX	C Type 96 Port Wall Type Double Doors SC Simplex Fiber Optic Distribution Box	96	430	100	330	2,8
OF-PB48PSCD-C-XX	C Type 48 Port Wall Type Double Doors SC Duplex Fiber Optic Distribution Box	48	430	100	330	2,8
OF-PB96PST-C-XX	C Type 96 Port Wall Type Double Doors ST Fiber Optic Distribution Box	96	430	100	330	2,8