

# OERT-13R

13.3" Intel® Core™ i5 Rugged Tablet

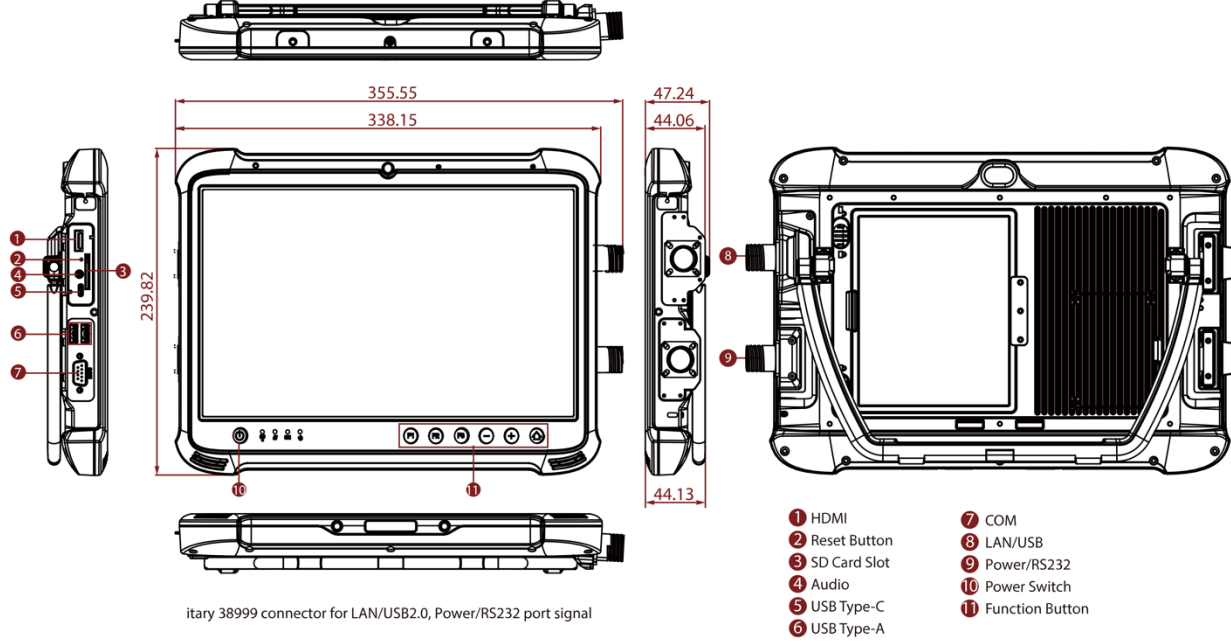


## Specifications

Display			
<b>Touch / Glass</b>	Projected Capacitive Multi Touch Screen	<b>Resolution</b>	1920x1080
<b>Size</b>	13.3 inches	<b>Contrast Ratio</b>	1000:1
<b>Panel Brightness</b>	500 nits 800 nits(Optional)	<b>View Angles</b>	89,89,89,89
System Specification			
<b>Processor</b>	Intel® Core™ i5-7200U Kaby Lake, 2.5 GHz (Turbo up to 3.10 GHz)	<b>Memory</b>	4GB SODIMM DDR4-2400 8GB SODIMM DDR4-2400 (Optional) 16GB SODIMM DDR4-2400 (Optional)
<b>Storage</b>	Storage 1: 1 x 128GB M.2 SSD Storage 1: ignore (Optional) 128GB M.2 SSD (Optional) 256GB M.2 SSD (Optional) 512GB M.2 SSD Storage 2: ignore (Optional) 128GB M.2 SSD (Optional) 256GB M.2 SSD (Optional) 512GB M.2 SSD (Optional)	<b>Ethernet controller</b>	1 x RJ45-10/100/1000 Mbps LAN
<b>Security</b>	Trusted Platform Module (TPM) 2.0 Computrace theft protection agent	<b>Operating System</b>	Windows 10 IoT Enterprise 64 bit
<b>WLAN</b>	802.11 a/b/g/n/ac	<b>BT</b>	BT Support
<b>WWAN</b>	4G/ LTE or 3G (Optional)	<b>GNSS</b>	GPS, GLONASS

Camera			
<b>Front Camera</b>	2MP Front Camera	<b>Rear Camera</b>	5MP Rear Camera with auto-focus and LED light
Mechanical			
<b>Dimension</b>	338.2 x 239.8 x 47.2 mm	<b>Weight</b>	2.4 Kg (Without Kickstand), 2.8 Kg (With Kickstand)
<b>Enclosure</b>	Rear Magnesium Alloy Die-Casting Design	<b>Cooling System</b>	Fanless Design
IO Ports			
<b>USB Port</b>	2 x USB 3.0, 1 x USB 2.0(MIL-STD-38999 connector), 1 x USB 3.1(Type C)	<b>Serial Port</b>	1 x RS-232 Serial COM Port(MIL-STD-38999 connector)
<b>SD Card Slot</b>	1 x Micro SD Slot	<b>Video</b>	1 x HDMI (Optional)
<b>Audio</b>	Microphone: 1 x built-in Digital Mic with Noise Cancellation Speaker: 2 x 1 watt speaker	<b>LAN</b>	1 x RJ45-10/100/1000 Mbps LAN(MIL-STD-38999 connector)
<b>Indicator</b>	4x LED Indicator for Power, Battery, SSD, RF status		
Environment			
<b>Operating Humidity</b>	30% to 80% RH, non-condensing	<b>Operating Temperature</b>	-10°C to 50°C (14°F to 122°F)
<b>Storage Temperature</b>	-20°C to 60°C (-4°F to 140°F)	<b>Shock</b>	MIL-STD-810G Method 516.6 Procedure I
<b>Vibration</b>	MIL-STD-810G Method 514.6 Procedure I	<b>IP rating</b>	IP65
<b>Drop</b>	MIL-STD-810G Method 516.6, 4 ft to concrete	<b>ESD</b>	ESD (Contact/Air) : 12kV/12kV
Certification			
<b>Certification</b>	CE, FCC, IC, UL		
Security Function			
<b>SOTI MobiControl</b>	SOTI MobiControl Compliance	<b>Kensington Lock</b>	Kensington Lock Support
Control			
<b>Button</b>	1 x Power, 1 x menu, 2 x volume key 3 x Programmable Function Keys		
Power			
<b>Battery</b>	7.4V, typ. 10280 mAh Li-Polymer Battery (2S2P) Hot-Swap (Optional)	<b>Battery Operating Time</b>	11 Hours
<b>Power Rating</b>	24V DC(MIL-DTL-38999/1 connector)	<b>Adapter</b>	100-240V, 50-60Hz / 24V DC
Accessory			
<b>Accessory</b>	Adapter and PowerCord Standard Battery Stylus Stand with Integrated Handle Power/RS232 External Cable LAN/USB2.0 External Cable	<b>Optional Accessory</b>	Shoulder Strap (Optional) Battery Charger (Optional) Active Pen (Optional)

## Dimensions



## Note

1. Total usable memory will be less dependent upon actual system configuration.
2. The USB Type-C connector follows USB3.0, standard, which does not support Alternate Mode (ALT) or USB Power Delivery (USB-PD).
3. TPM 2.0 available upon request.
4. Computrace theft protection and SOTI are available upon request.
5. Length measurements do not include protrusions. Weight varies with options.
6. Accessories and integrated options may vary depending on your configuration.
7. This is a simplified drawing and some components are not marked in detail.
8. The product shown in this datasheet is a standard model. For diagrams that contain customized or optional I/O,
9. Default uses the silver military connector with RoHs, optional green military connector without RoHs.ext